

**i**

<b>A</b>	NL - 21	NL - 24,5
<b>B</b>	LB - 2 x EB - 52,5	LB - 2 x EB - 52,5
<b>C</b>	-	LB - 2 x EB - 64
<b>D</b>	-	68,5 mm

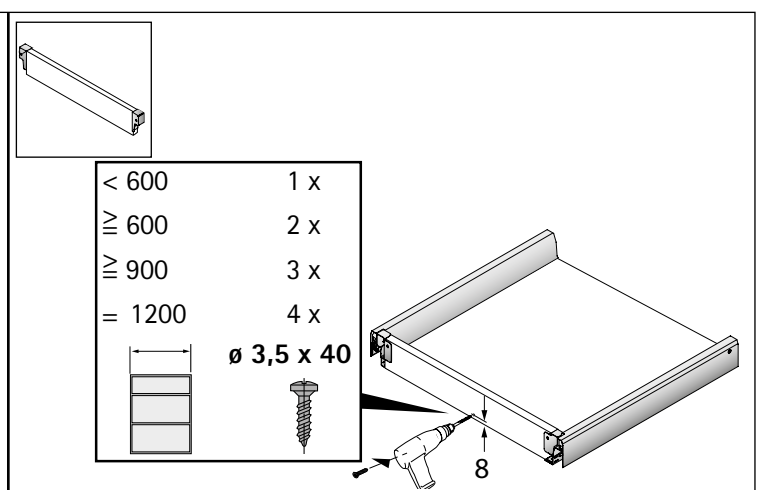
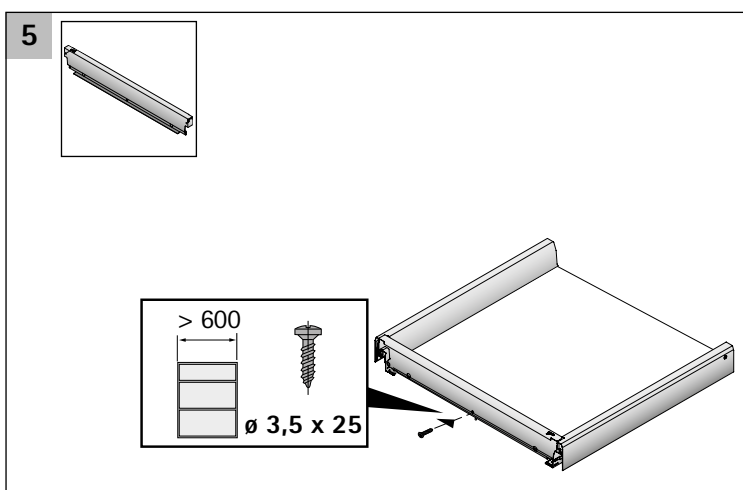
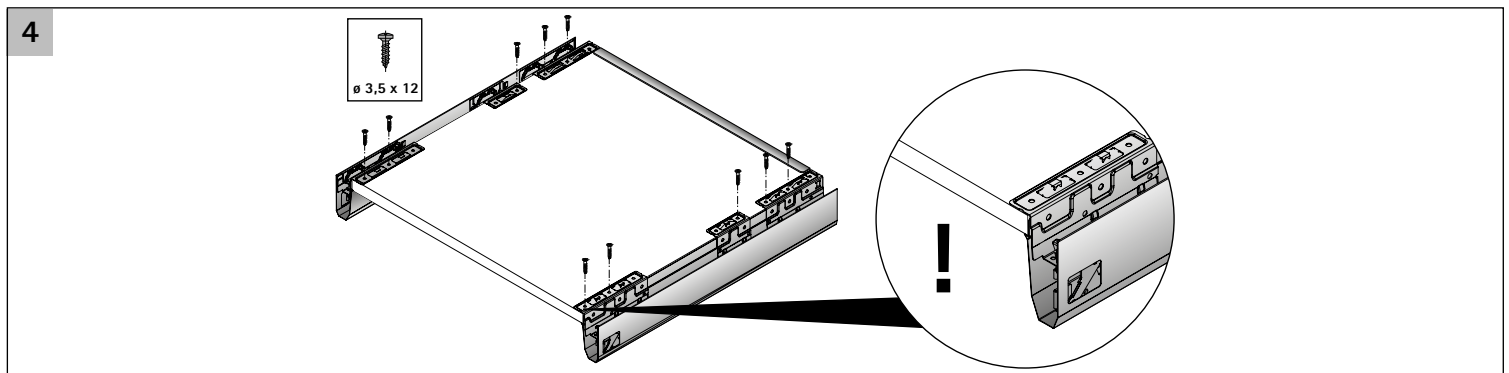
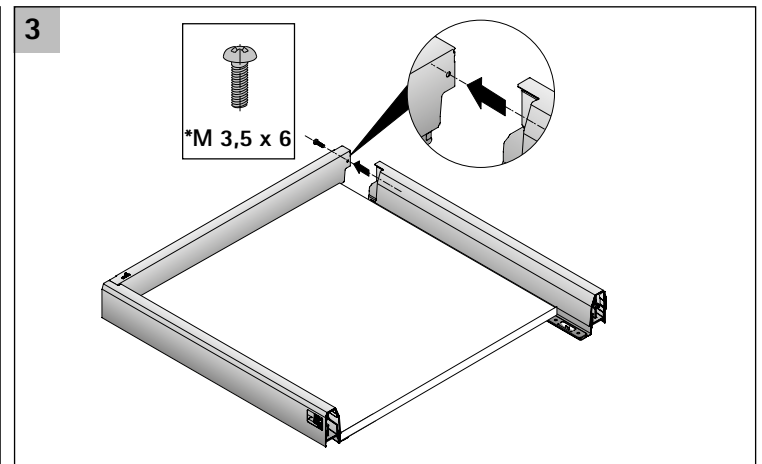
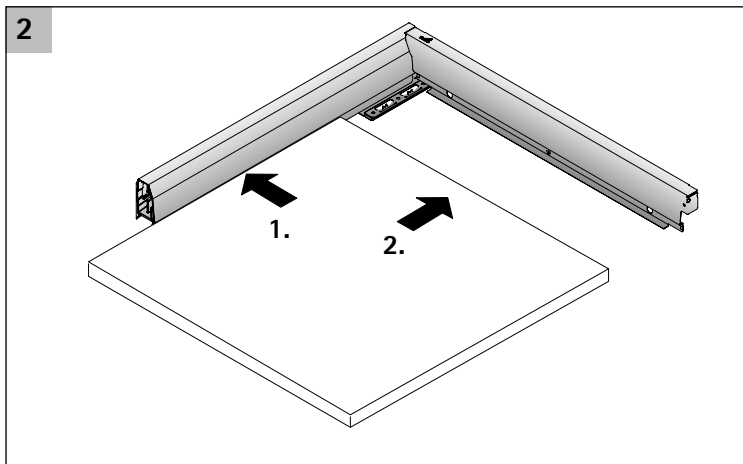
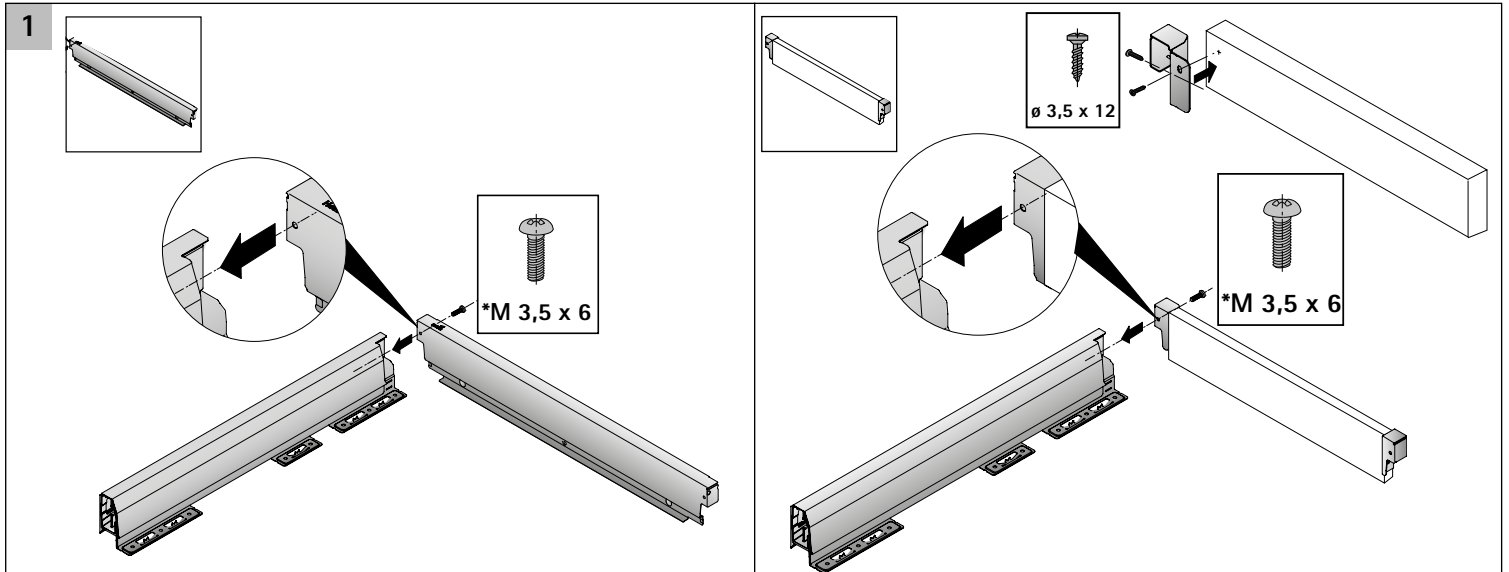
<b>KD mm</b>	16	18	19
<b>EB mm</b>	15	13	12
<b>A mm</b>	23	21	20

<b>NL mm</b>	<b>b1 mm</b>	<b>X</b>
500	224	503

**i**

9153351



**6**

9127211

1.

2.

32

$\varnothing 10 \times 12,5$

32

$\varnothing 3,5$

**7**

9123080

600 - 700 mm

$\geq 700$  mm

32

$\varnothing 10 \times 12,5$

32

256

32

32

32

28

32

**CLICK!**

1.

2.

$\varnothing 3,5 \times 16$

**8**

8 x  $\varnothing 6 \times 14$

