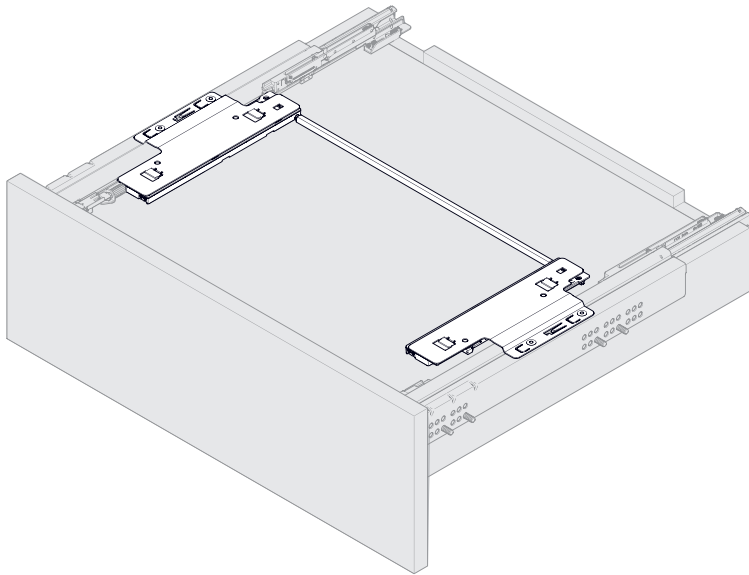
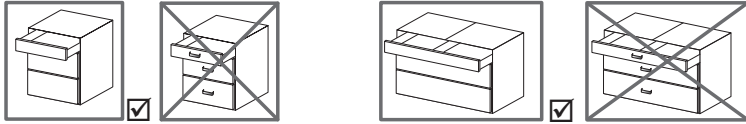
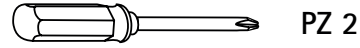
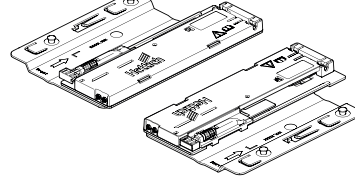


Quadro 4D V6 / Quadro YOU Push to open Silent

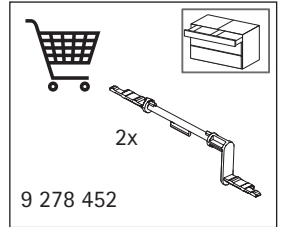
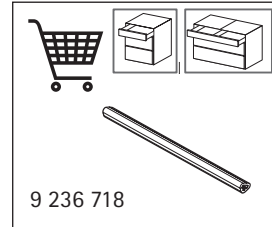
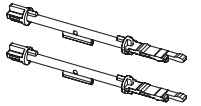
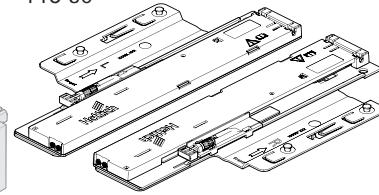
Technik für Möbel



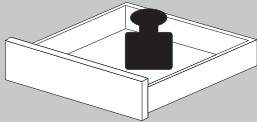
PTO 10/20



PTO 30



i 1

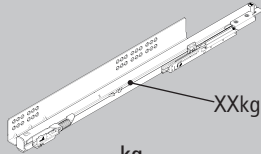


kg

3 - 10

8 - 20

10 - 30

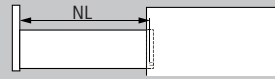


kg

10

30

30



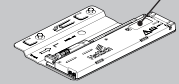
mm

250 - 350

250 - 600

350 - 600

PTO 10/20/30

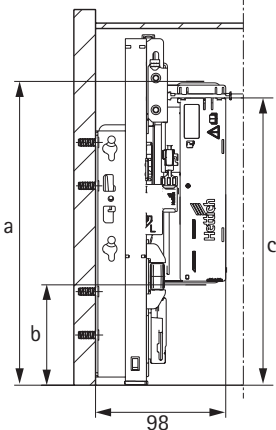


PTO 10

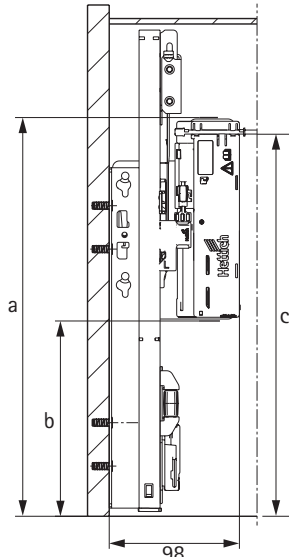
PTO 20

PTO 30

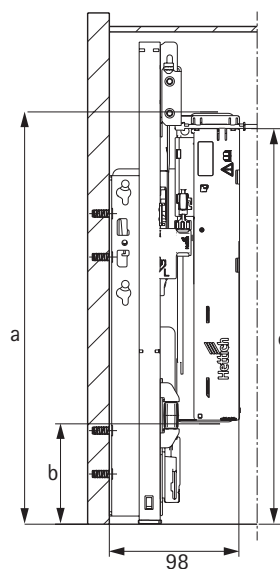
A
PTO 10/20
NL 250 - 320



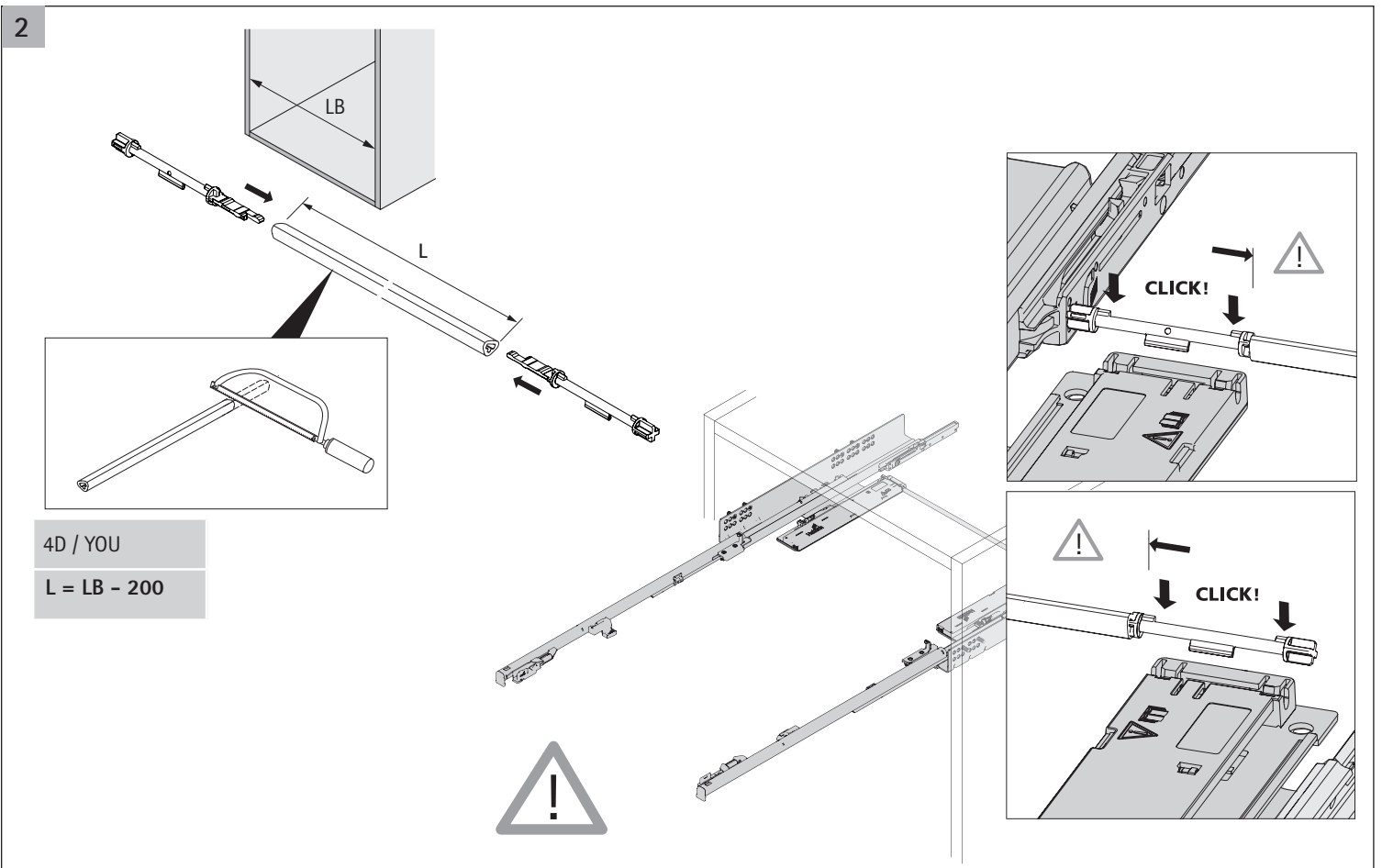
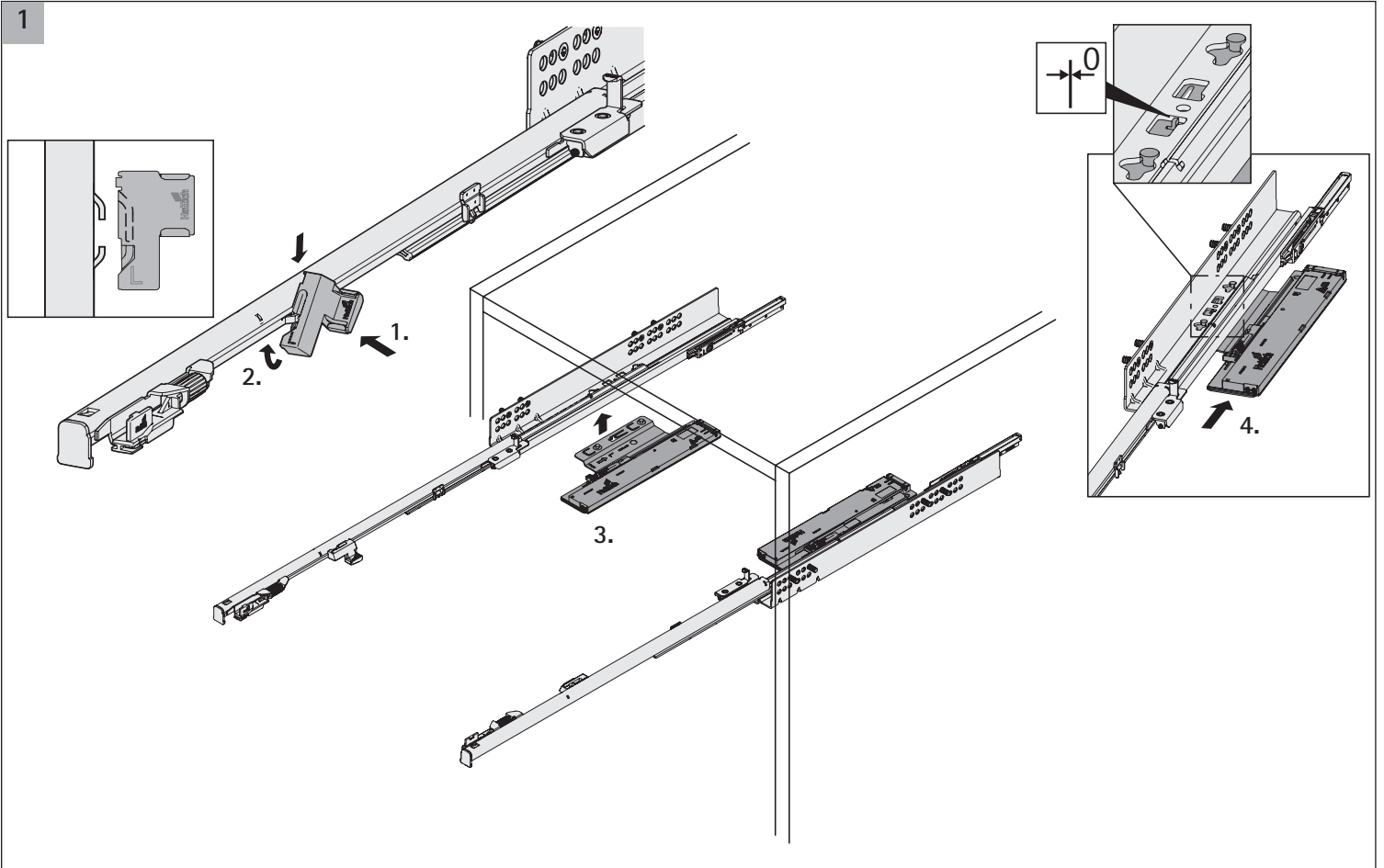
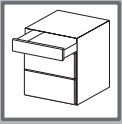
B
PTO 10/20
NL 350 - 600



C
PTO 30
NL 350 - 600



	A	B	C
a	4D: 224	4D: 294	4D: 304
	YOU: 215	YOU: 286	YOU: 296
b	4D: 74	4D: 144	4D: 74
	YOU: 65	YOU: 136	YOU: 66
c	4D: 210	4D: 280	4D: 290
	YOU: 201	YOU: 272	YOU: 282



3

9 257 326

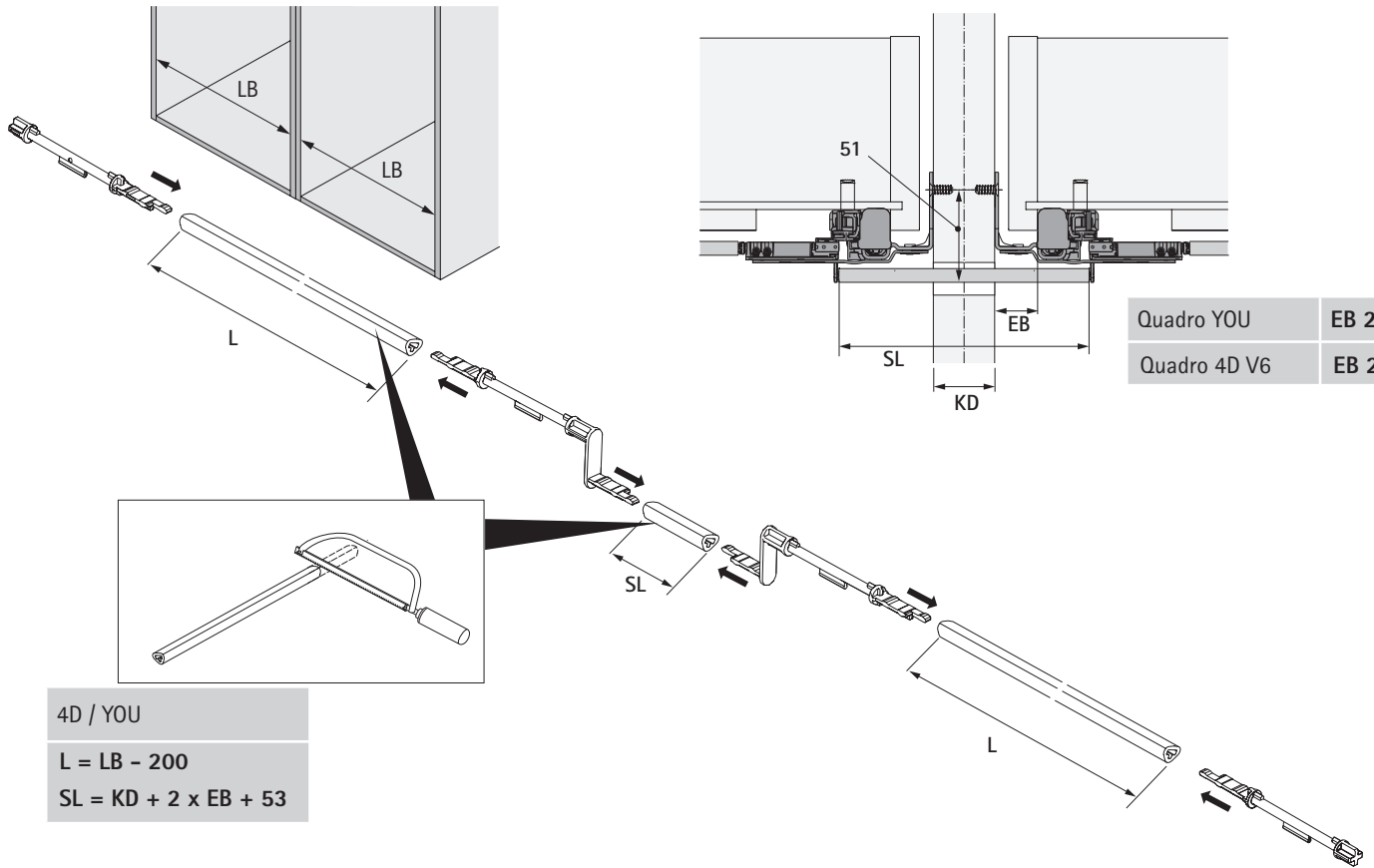
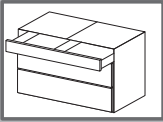
2. ↓

1. →

	4D	YOU
X	0,5	1

4

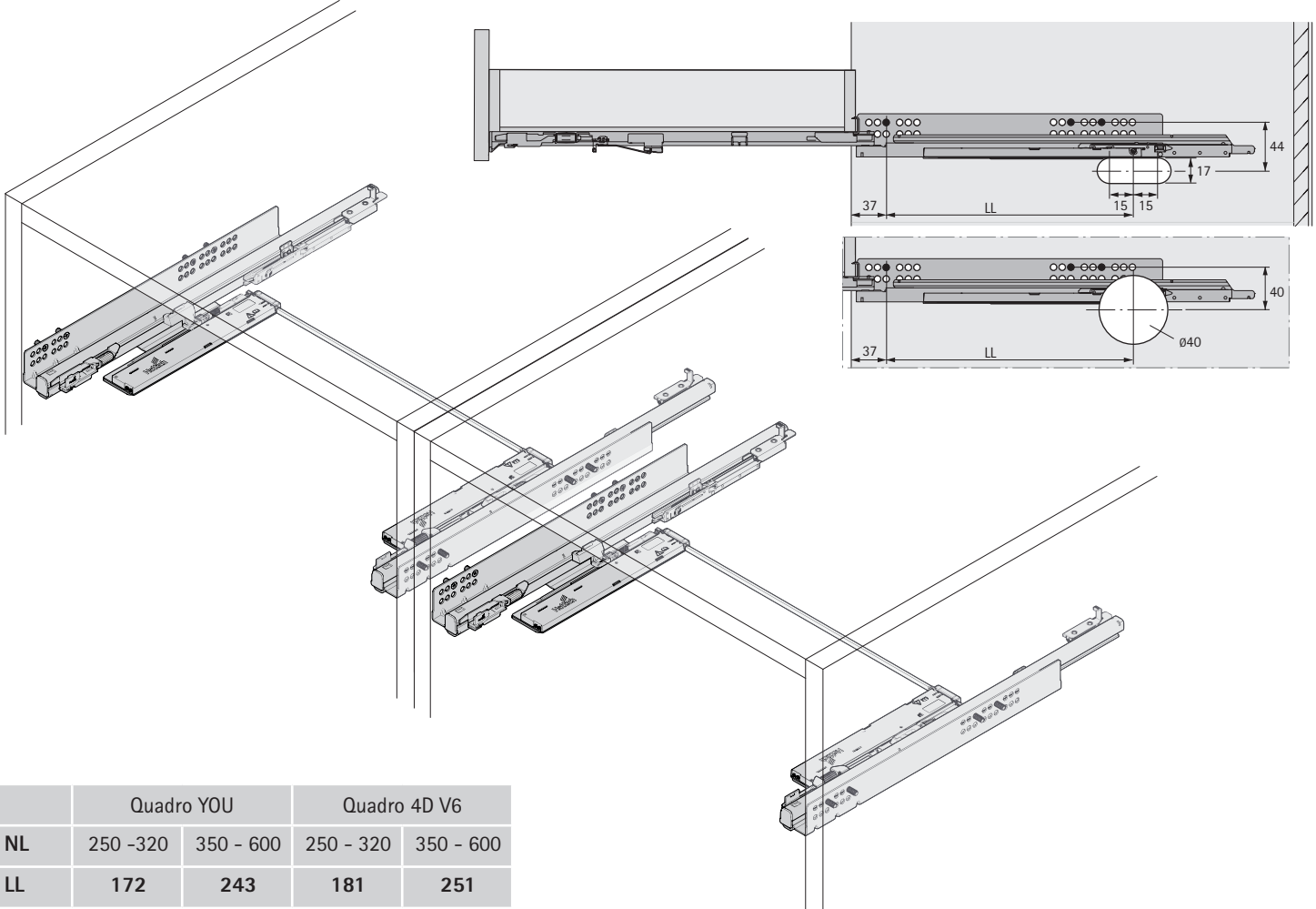
Демонтаж



4D / YOU

$$L = LB - 200$$

$$SL = KD + 2 \times EB + 53$$



	Quadro YOU		Quadro 4D V6	
NL	250 - 320	350 - 600	250 - 320	350 - 600
LL	172	243	181	251